



### DESCRIPTION

*A durable footpedal throttle assembly for use with Curtis PMC electronic motor speed controllers, and models by other manufacturers.*

### WARRANTY

One year from date of delivery.

### Application

Curtis FP-4 and FP-5 Footpedal Assemblies are ideal for use in electric forklifts, golf carts, electric street vehicles and other vehicle types.

### Features

- Rugged aluminum casing – ideal for tough environments such as material handling.
- The Model FP-4 has two MOSFET drivers which can be used for driving contactor coils or logic circuits. The first MOSFET is set for approximately 3°, the second for 25°.
- The entire footpedal assembly rotates up to 90° on its mounting base – for maximum installation flexibility.
- A choice of cable exit points at rear or bottom – for easy installation.
- Dual return spring design ensures increased reliability.
- Two different throttle types are available: 0 to 5V solid state throttle using Hall Effect sensors or a 0 to 5K potentiometer.
- Model FP-4 includes two solid state MOSFET contactor drivers.
- Model FP-5 includes two adjustable microswitches.
- As an option, foot pedal can be mounted on either side of mounting base.

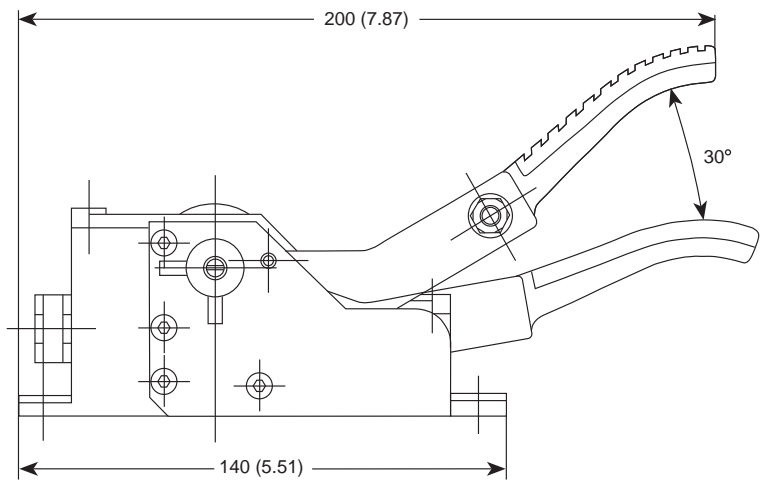
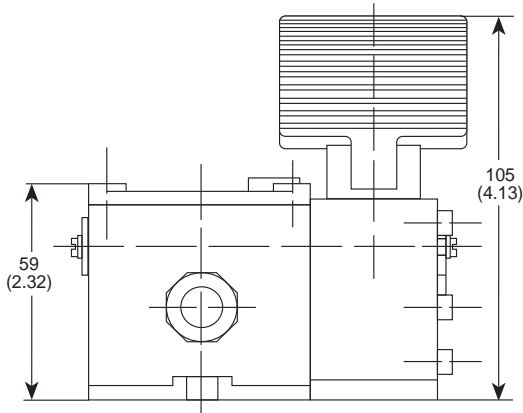
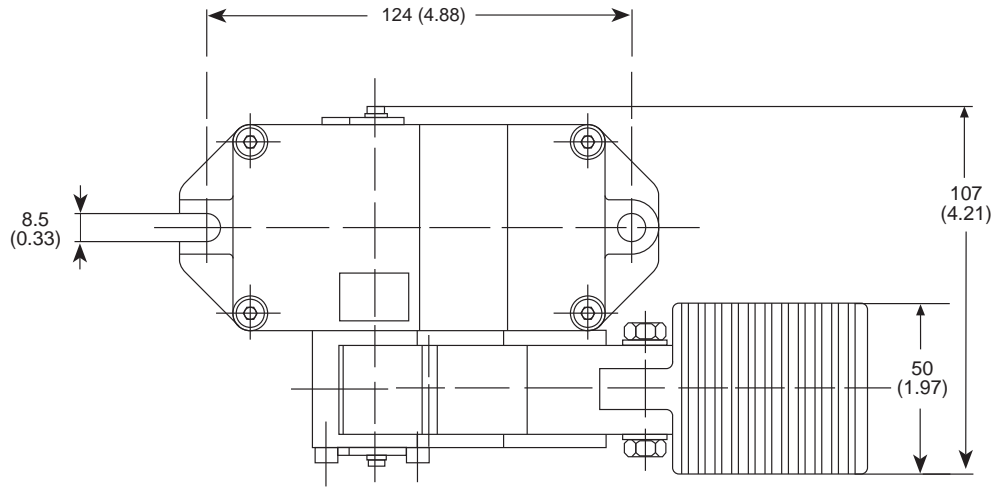
### Specifications

#### Curtis Model FP-4: Solid State Throttle Type

- Operating input voltage range: 13 to 46V DC (24 to 36V DC nominal)
- Output range: 0 to 5V
- Minimum throttle output: 0V
- Maximum throttle output: 5.3V
- Maximum current consumption: 18mA
- Minimum current per MOSFET channel: 20mA
- Maximum current per MOSFET channel: 1.5A

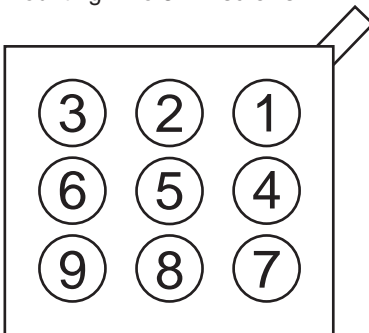
#### Curtis Model FP-5: Potentiometer Throttle Type – 0 to 5K

- Maximum current for microswitches: 10A at 30V DC (resistive load)



### Installation

Mounting: Two 8mm screws



**FP-4 Solid State Throttle**  
AMP Mate-N-Lock Connector  
Female p/n: AMP 350.782-1  
with contacts 926.893-3

### FP-4 Solid State Footpedal Pinouts

1	0-5V ground
2	Battery +
3	+ MOSFET driver 1 (approximately 3°)
4	+ MOSFET driver 2 (approximately 25°)
5	No connect
6	No connect
7	Battery -
8	0-5V throttle
9	No connect

### FP-5 Footpedal Assembly Pinouts

1	Potentiometer end
2	Potentiometer wiper 0-5K
3	Potentiometer end
4	Microswitch 1 (user set)
5	Microswitch 2 (user set)
6	Return for both microswitches