

Tecknowledgey®



700 Series Solid State Elapse Time Indicator

The 700 series are elapsed time indicator without displays that offer unprecedented levels of reliability, performance and flexibility.

It has a wide range of applications including maintenance, total hours monitoring, true warranty verification and leasing for commercial, medical, industrial equipment and vehicles.

Features

- High levels of reliability and accuracy for consistent data acquisition and storage.
- Silent operation – no moving parts. Eliminates gear and motor noise.
- Serial digital output for PC or peripheral reader interface.
- Safe, reliable EEPROM memory storage of data without battery back up.
- Optional resettable version available.
- Compact size designed for easy, PC board mounting.
- Memory will arm only when power has been applied for five seconds (with no loss of time).
- Low power consumption.
- Hours can be read by our model 1170-007 hand held reader.

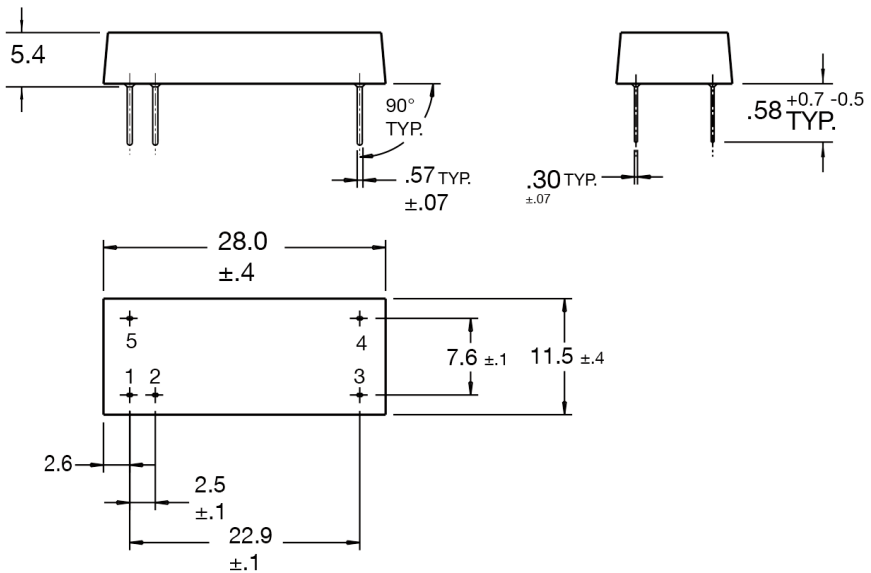
Specifications

Voltage Range	4.75 – 10 VDC
Reset Voltage	20VDC +/- 5%
Reset Pulse Width	100 micro sec minimum; 1 sec max
Recording and Display Capability	99,999.99 hours
Resolution	0.01 hours
Accuracy	+/- 0.1% hours
Current Consumption	0.4mA (max) @ 5VDC
Operating Temperature	40° C to +85° C
Storage Temperature	-45° C to +90° C

700 Series Solid State Elapse Time Indicator

Pin Assignment

1. Input power from reader
2. Data output
3. +5 VDC
4. Common
5. Reset +20 VDC $\pm 5\%$



Dimensions MM

Model Encodement

701 Elapsed time indicator

PC PC board mount

N N = Non reset R = Reset